

Approval Sheet

Wilcom EmbroideryStudio – Level 3 Advanced



Design: Dizainer1

Colorway: Colorway 1

Stitches: 9550

Colors: 4

Height: 85.3 mm

Width: 85.3 mm

Zoom: 1:1



Production Worksheet

Wilcom EmbroideryStudio – Level 3 Advanced



Design: Dizainer1

Colorway: Colorway 1

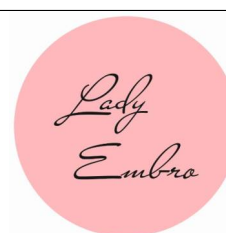
Stitches: 9550

Colors: 4

Height: 85.3 mm

Width: 85.3 mm

Zoom: 1:1



Machine: Tajima
Color changes: 4
Stops: 5
Trims: 6
Left: 42.7 mm
Right: 42.7 mm
Up: 42.7 mm
Down: 42.7 mm
EndX: 0.0 mm
EndY: 0.0 mm
Max Stitch: 7.0 mm
Min Stitch: 0.2 mm
Max Jump: 7.0 mm
Total Bobbin: 18.24m

Stop Sequence:

#	N#	St.	Description	Code	Brand
1.	3	■	242 Черный	13	Wilcom
2.	2	■	3700 Желтый	4	Wilcom
3.	3	■	769 Черный	13	Wilcom
4.	4	■	2842 Красный	5	Wilcom
5.	1	■	1995 Олива	32	Wilcom



Color Film

Wilcom EmbroideryStudio – Level 3 Advanced



Design: Dizainer1

Colorway: Colorway 1

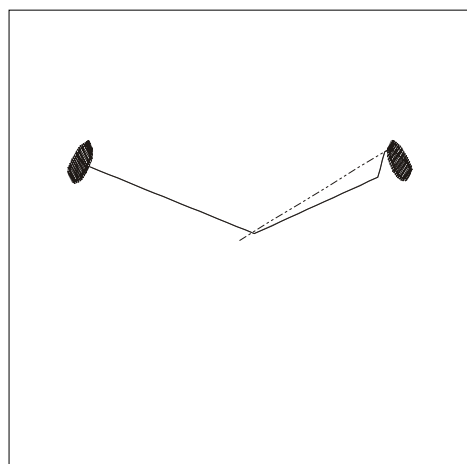
Stitches: 9550

Colors: 4

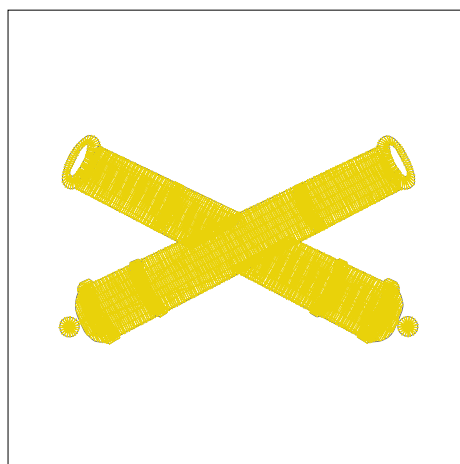
Height: 85.3 mm

Width: 85.3 mm

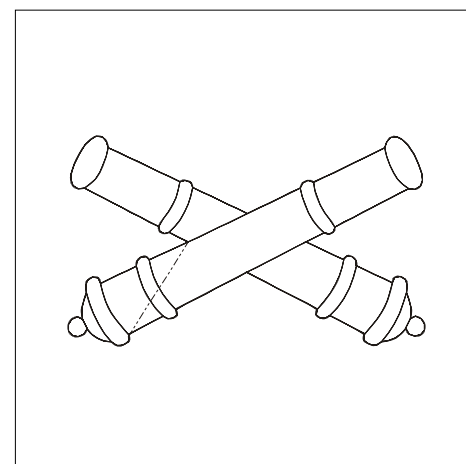
Zoom: 0.68



#: 1
Color: Черный
Code: 13
Brand: Wilcom
Stitches: 242
Thread Used: 1.02m



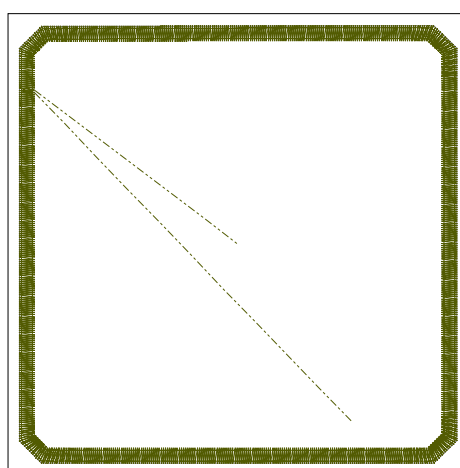
#: 2
Color: Желтый
Code: 4
Brand: Wilcom
Stitches: 3700
Thread Used: 21.52m



#: 3
Color: Черный
Code: 13
Brand: Wilcom
Stitches: 769
Thread Used: 3.25m



#: 4
Color: Красный
Code: 5
Brand: Wilcom
Stitches: 2842
Thread Used: 12.13m



#: 5
Color: Олива
Code: 32
Brand: Wilcom
Stitches: 1995
Thread Used: 11.96m

Production Summary

Wilcom EmbroideryStudio – Level 3 Advanced



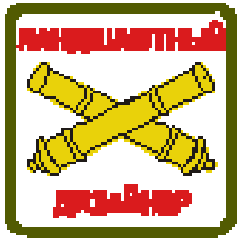
Design: Dizainer1

Stitches: 9550

Colors: 4

Height: 85.3 mm

Width: 85.3 mm



Machine: Tajima

Color changes: 4

Stops: 5

Trims: 6

Max Stitch: 7.0 mm

Min Stitch: 0.2 mm

Max Jump: 7.0 mm

Left: 42.7 mm

Right: 42.7 mm

Up: 42.7 mm

Down: 42.7 mm

EndX: 0.0 mm

EndY: 0.0 mm

Total Bobbin: 18.24m

Colorway			Colorway 1
Background			
Stop	Color	Stitches	
1	3	242	13 Черный Wilcom
2	2	3700	4 Желтый Wilcom
3	3	769	13 Черный Wilcom
4	4	2842	5 Красный Wilcom
5	1	1995	32 Олива Wilcom