

Approval Sheet

Wilcom EmbroideryStudio – Level 3 Advanced



Design: VOG

Colorway: Colorway 1

Stitches: 7072

Colors: 5

Height: 50.6 mm

Width: 80.5 mm

Zoom: 1:1

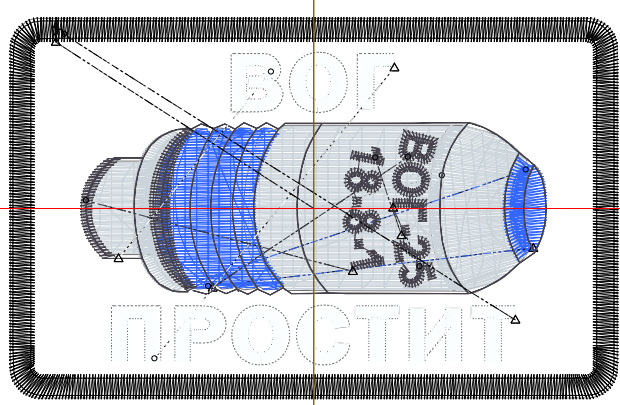




Machine: Tajima
 Color changes: 4
 Stops: 5
 Trims: 10
 Left: 40.3 mm
 Right: 40.3 mm
 Up: 25.3 mm
 Down: 25.3 mm
 EndX: 0.0 mm
 EndY: 0.0 mm
 Max Stitch: 7.3 mm
 Min Stitch: 0.2 mm
 Max Jump: 6.8 mm
 Total Bobbin: 14.52m

Stop Sequence:

#	N#	St.	Description	Code	Brand
1.	5	2058	Светло-серый	23	Wilcom
2.	4	789	Синий	21	Wilcom
3.	3	1377	Темно-серый	19	Wilcom
4.	2	1279	Белый	15	Wilcom
5.	1	1567	Черный	13	Wilcom



Color Film

Wilcom EmbroideryStudio – Level 3 Advanced



Design: VOG

Colorway: Colorway 1

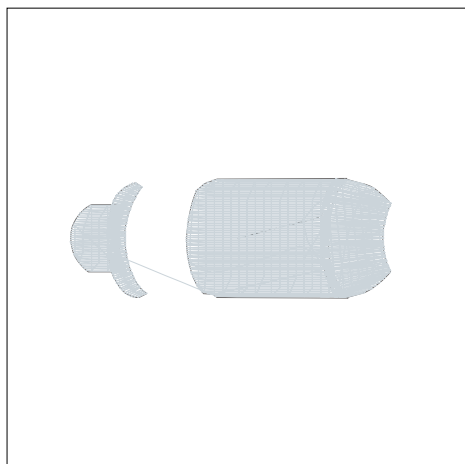
Stitches: 7072

Colors: 5

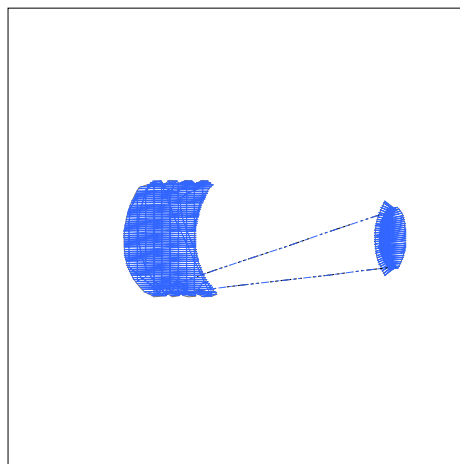
Height: 50.6 mm

Width: 80.5 mm

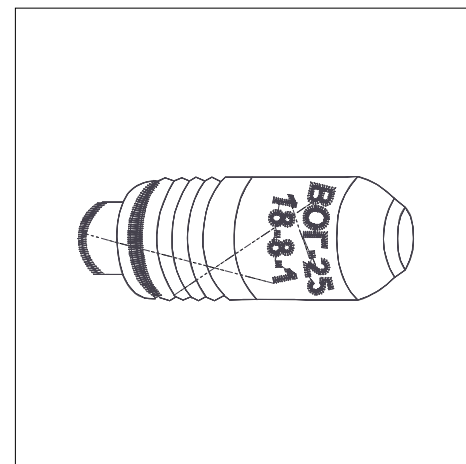
Zoom: 0.72



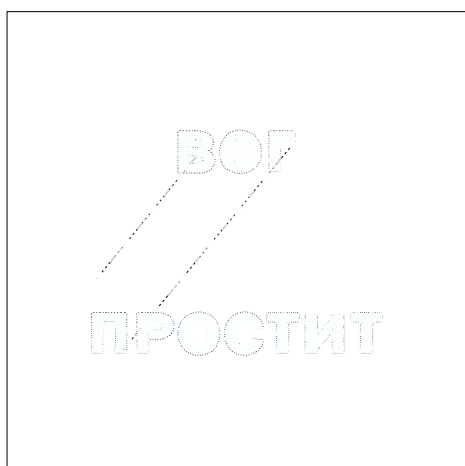
#: 1
Color: Светло-серый
Code: 23
Brand: Wilcom
Stitches: 2058
Thread Used: 12.70m



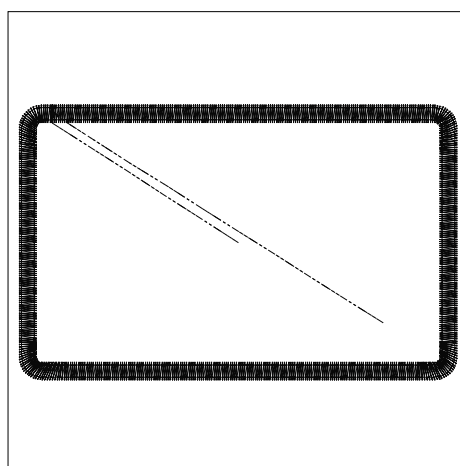
#: 2
Color: Синий
Code: 21
Brand: Wilcom
Stitches: 789
Thread Used: 4.73m



#: 3
Color: Темно-серый
Code: 19
Brand: Wilcom
Stitches: 1377
Thread Used: 5.43m



#: 4
Color: Белый
Code: 15
Brand: Wilcom
Stitches: 1279
Thread Used: 6.07m



#: 5
Color: Черный
Code: 13
Brand: Wilcom
Stitches: 1567
Thread Used: 9.71m

Production Summary

Wilcom EmbroideryStudio – Level 3 Advanced



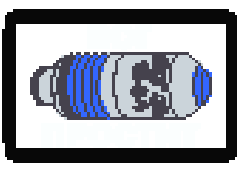
Design: VOG

Stitches: 7072

Colors: 5

Height: 50.6 mm

Width: 80.5 mm



Machine: Tajima
Color changes: 4
Stops: 5
Trims: 10
Max Stitch: 7.3 mm
Min Stitch: 0.2 mm
Max Jump: 6.8 mm

Left: 40.3 mm
Right: 40.3 mm
Up: 25.3 mm
Down: 25.3 mm
EndX: 0.0 mm
EndY: 0.0 mm
Total Bobbin: 14.52m

Colorway			Colorway 1
Background			
Stop	Color	Stitches	
1	5	2058	23 Светло-серый Wilcom
2	4	789	21 Синий Wilcom
3	3	1377	19 Темно-серый Wilcom
4	2	1279	15 Белый Wilcom
5	1	1567	13 Черный Wilcom